

# Desktop Power Supply 54VDC/240W

Contact  
Nexans LAN Systems  
Tel.: +49 (0) 2166 27 2220  
sales.ans@nexans.com

## Features

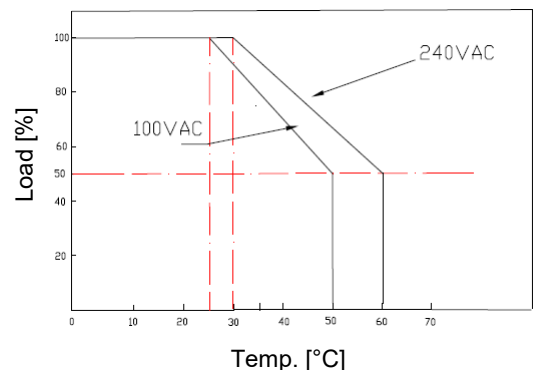
- Power Supply for Nexans XGigaSwitch series
- Full PoE (IEEE 802.3af, at and bt) compatible
- Fanless design
- Output Power: 240 Watts
- Control-LED
- Primary Connection (100-240V AC) via C14 connector
- Secondary connection (54V DC):
  - Three core wire H03VV cord, 1m, with moulded 3-pin connector
- Mutual connection of function earth
- Low Voltage Directive "Protection Class I"



**LANactive**  
Switch to the future

## Hardware Specification

Rated input range	100-240V AC
Input range	50-60 Hz 90-264V AC 47-63 Hz
Input current	2.1A at 115V AC 1.1A at 230V AC
Max. input current	3.9A
AC leakage current	Max. 0.35mA at 240V AC input
Max. inrush current	60A at 240V AC, 25°C
Unload standby power	< 0.21W
Isolation	1.5kV
Rated output voltage	54V DC
Max. output current	4.6A
Max. output power	248.4W
Electrical protection	Short circuit, overvoltage and overcurrent protection
Efficiency	Min. 88% Typ. 90%
Dimensions (L x W x H)	187 x 87 x 39 mm
Ambient operating temperature range	0 ... 25°C



Storage temperature range	-40 ... 55°C
Relative humidity	5 ... 90%
Primary cable	Flexible H03VV cable with 3x 0.75 mm <sup>2</sup> wires
Secondary cable	Flexible H03VV cable with 3x 0.75 mm <sup>2</sup> wires
Safety	CE, EN 60950-1 and 62368-1*
EMC	EN 55022, EN 55024
Protection	Class I
Weight	950g

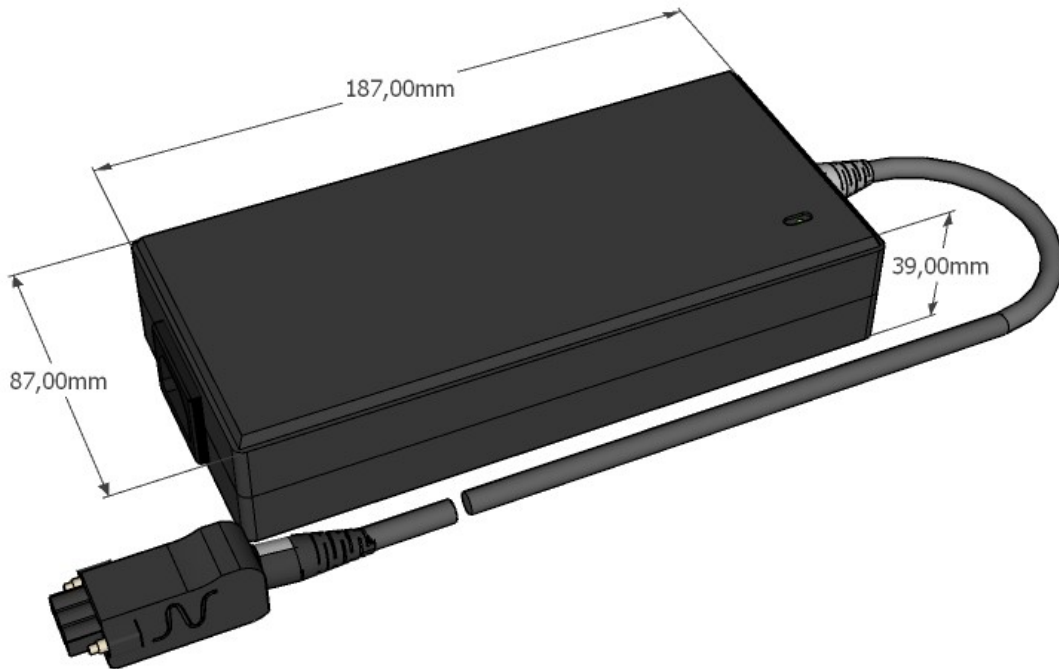
\*The product is suitable for connection to IT power distribution systems providing 100-240V phase to phase voltage

**Nexans**

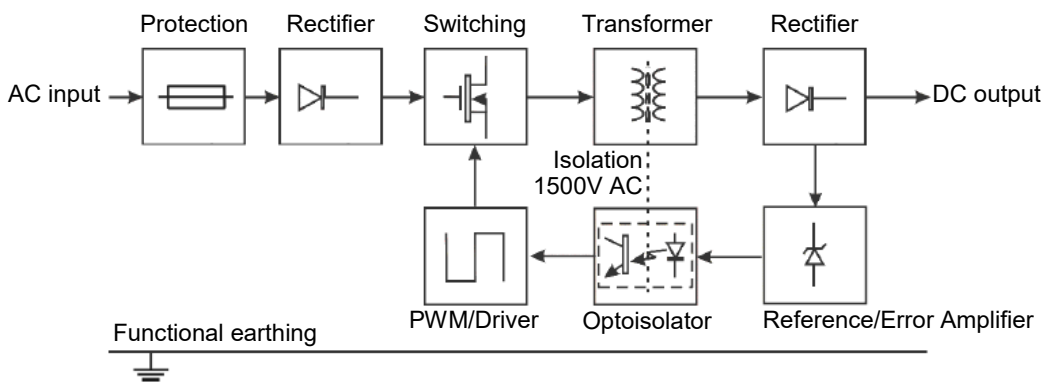
# Desktop Power Supply 54VDC/240W

Contact  
Nexans LAN Systems  
Tel.: +49 (0) 2166 27 2220  
sales.ans@nexans.com

## Dimensions



## Block Diagram



## Ordering Information

Article number	Description
88646283	Desktop Power Supply 54VDC/240W