

Installation Power Supplies 54VDC/65W

Contact

Nexans LAN Systems
Tel.: +49 (0) 2166 27 2220
sales.ans@nexans.com

Features

- Power Supply for Nexans GigaSwitch series
- Full PoE+, IEEE 802.3at, compatibility
- Fanless design
- Output Power: 65 Watts
- Control-LED
- Primary Connection (100-240V AC):
 - Three core wire H03VV cord, 1,5m, pre assembled with insulations screw joint
or Schuko connector
- Secondary connection (54V DC):
 - Three core wire H03VV cord, 1m, with pre assembled 3-pin connector
or moulded 3-pin connector
- Mutual connection of function earth
- Low Voltage Directive "Protection Class II"



LANactive
Switch to the future

Hardware specification

Rated input range	100-240V AC 50-60 Hz
Input range	90-265V AC 47-63 Hz
Input current	1.13A at 115V AC 0.67A at 230V AC
Max. input current	1.5A
AC leakage current	Max. 0.25mA at 240V AC input
Max. inrush current	60A at 240V AC, 25°C
Unload standby power	<0.5W
Isolation	1.5kV
Rated output range	54V DC
Max. output current	1.2A
Max. output power	64.8W
Electrical protection	Short circuit, overvoltage and overcurrent protection
Efficiency	Min. 80% Typ. 87%
Weight	225g
Dimensions	120 x 54 x 32 mm
Ambient operating temperature range	0 ... 40°C
Storage temperature range	-10 ... 55°C
Relative humidity	5 ... 90%
Primary cable	Flexible H03VV cable with 3 wires
Secondary cable	Flexible H03VV cable with 3 wires
Cable conductors	0.75mm ² acc. to IEC 60364 Part 5-52 Table 52-5
Safety	CE, EN 60950, IEC 60950*
EMC	EN 55022, EN 55024, GB 9254-1998 (CISPR 22)
Protection	Class II

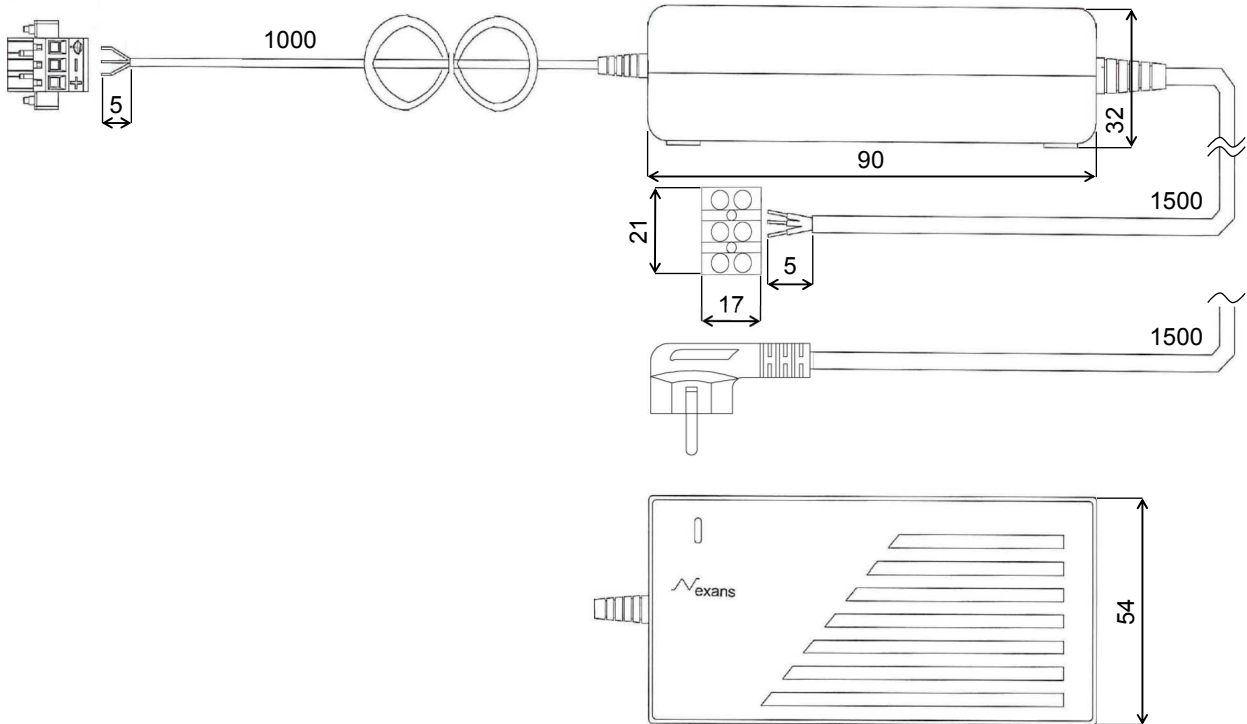
*The product is suitable for connection to IT power distribution systems providing 100-240V phase to phase voltage

Nexans

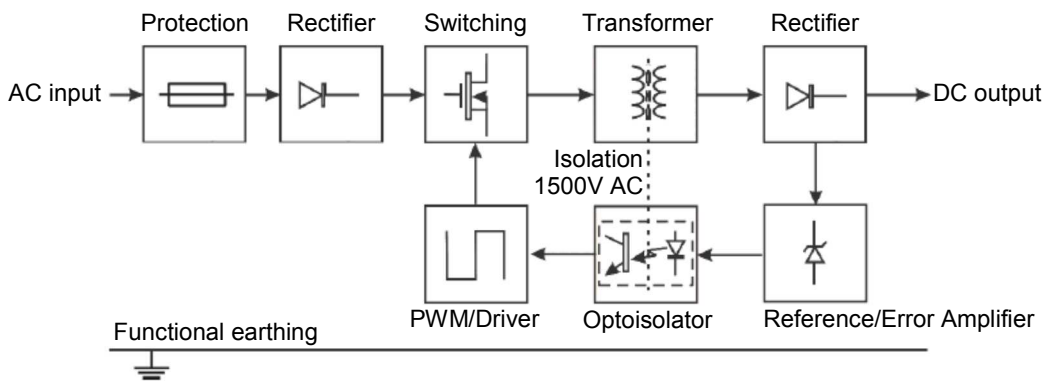
Installation Power Supply 54VDC/65W

Contact
 Nexans LAN Systems
 Tel.: +49 (0) 2166 27 2220
 sales.ans@nexans.com

Dimensions



Block diagram



Ordering information

Article number	Description
88646066	Installation Power Supply 54VDC/65W
88646077	Power Supply with Schuko 54VDC/65W