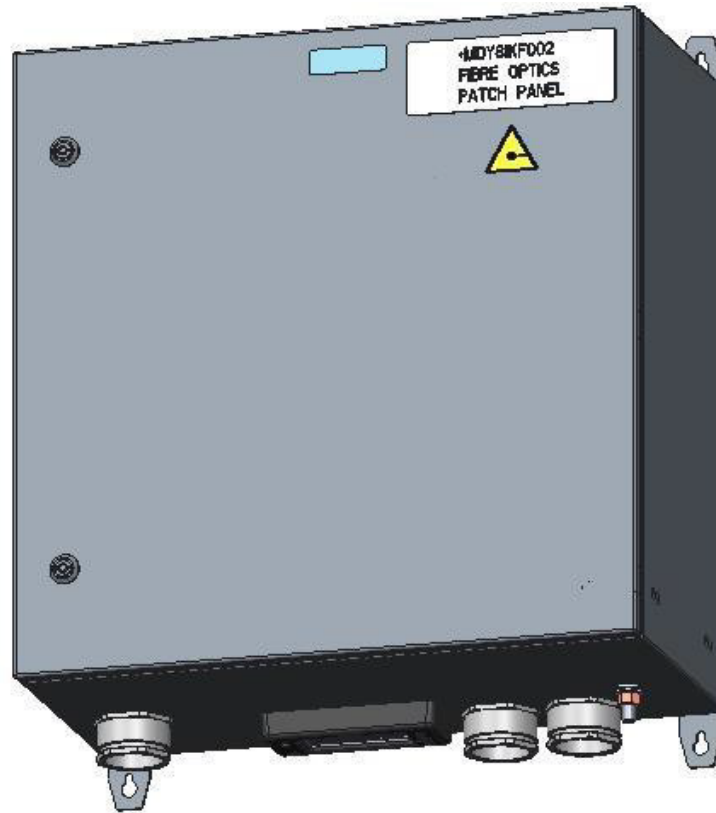


Document : ABS1585/C
Date : 18/03/2024



#smartconnection

NOTICE / INSTRUCTIONS



OTB 96

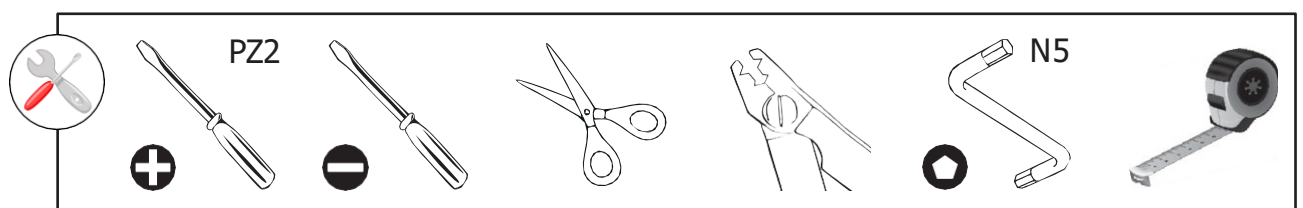
Optical Transition Box

www.aginode.net



Table of contents

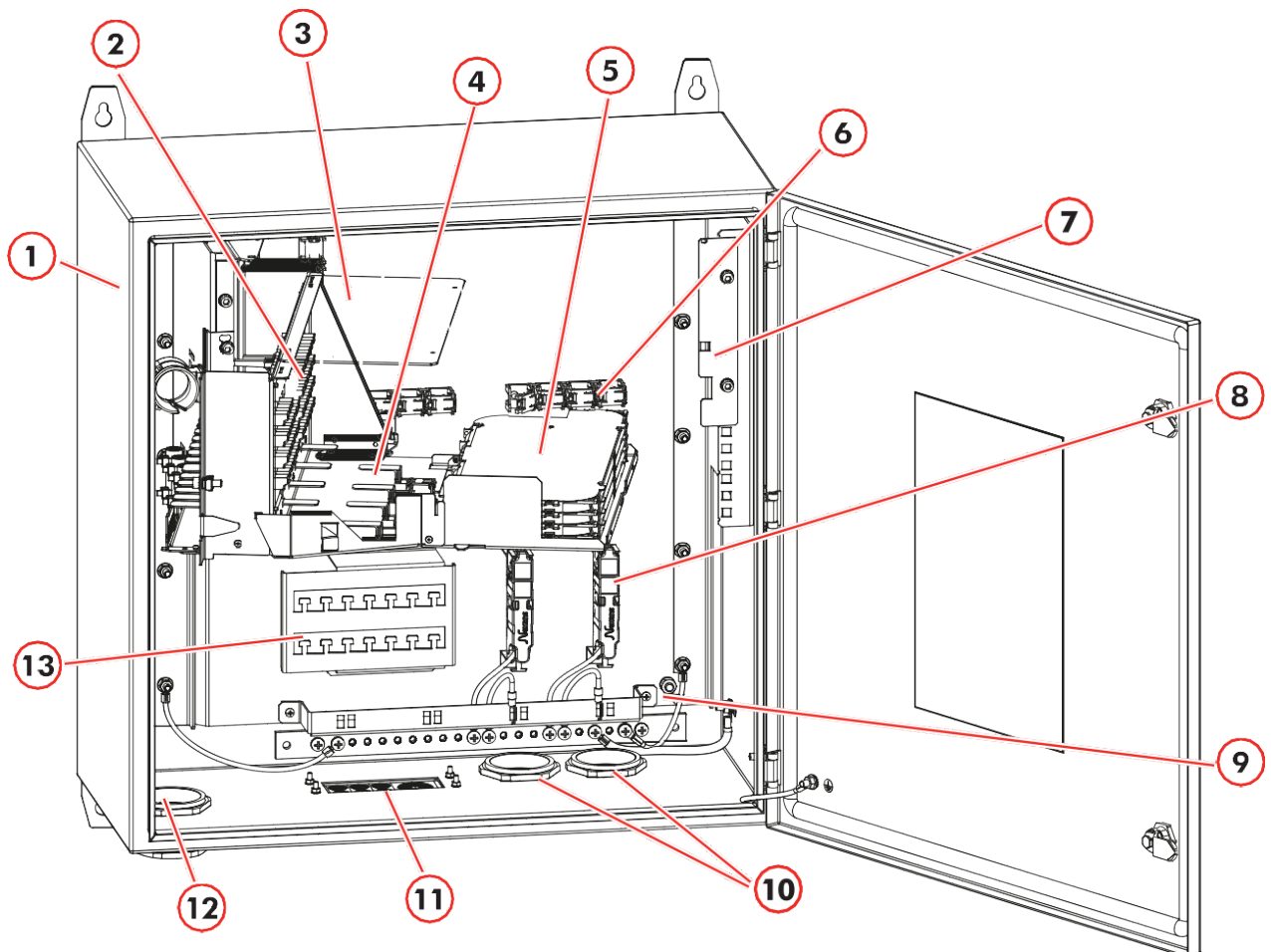
1. OVERVIEW	3
1. <i>PRODUCT PRESENTATION</i>	3
2. <i>TECHNICAL CHARACTERISTICS</i>	4
3. <i>PROVIDED KITS</i>	4
4. <i>CASSETTES PRESENTATION</i>	5
5. <i>PATCHING AND SPLICING MODULE (PRE-ASSEMBLY WITH 96 PIGTAILS)</i>	5
2. PRELIMINARY OPERATIONS	6
1. <i>DISTANCE BETWEEN FIXATION POINTS: 550 X 650 MM</i>	6
2. <i>OPENING THE BOX</i>	6
3. <i>OPENING THE MODULE</i>	7
3. MAIN CABLE INSTALLATION	8
1. <i>CABLE PREPARATION (48 FIBRES)</i>	8
2. <i>CABLE CLAMPING</i>	9
3. <i>ROUTING FIBRES</i>	12
4. PRETERMINATED SECONDARY CABLE INSTALLATION	14
1. <i>CABLE CLAMPING</i>	14
2. <i>ROUTING PRETERMINATED FIBRES ON THE FRONT OF THE MODULE</i>	14
5. <i>BREAKOUT CABLES INSTALLATION</i>	15
6. FINAL OPERATIONS	16
1. <i>GROUNDING WIRE IN THE BOX</i>	16
2. <i>GROUNDING WIRE EXTERNAL</i>	16
3. <i>CLOSING THE MODULE</i>	17
4. <i>CLOSING THE BOX</i>	17
7. MAINTENANCE OPERATIONS	18
8. END LIFE INSTRUCTION	18



1. OVERVIEW

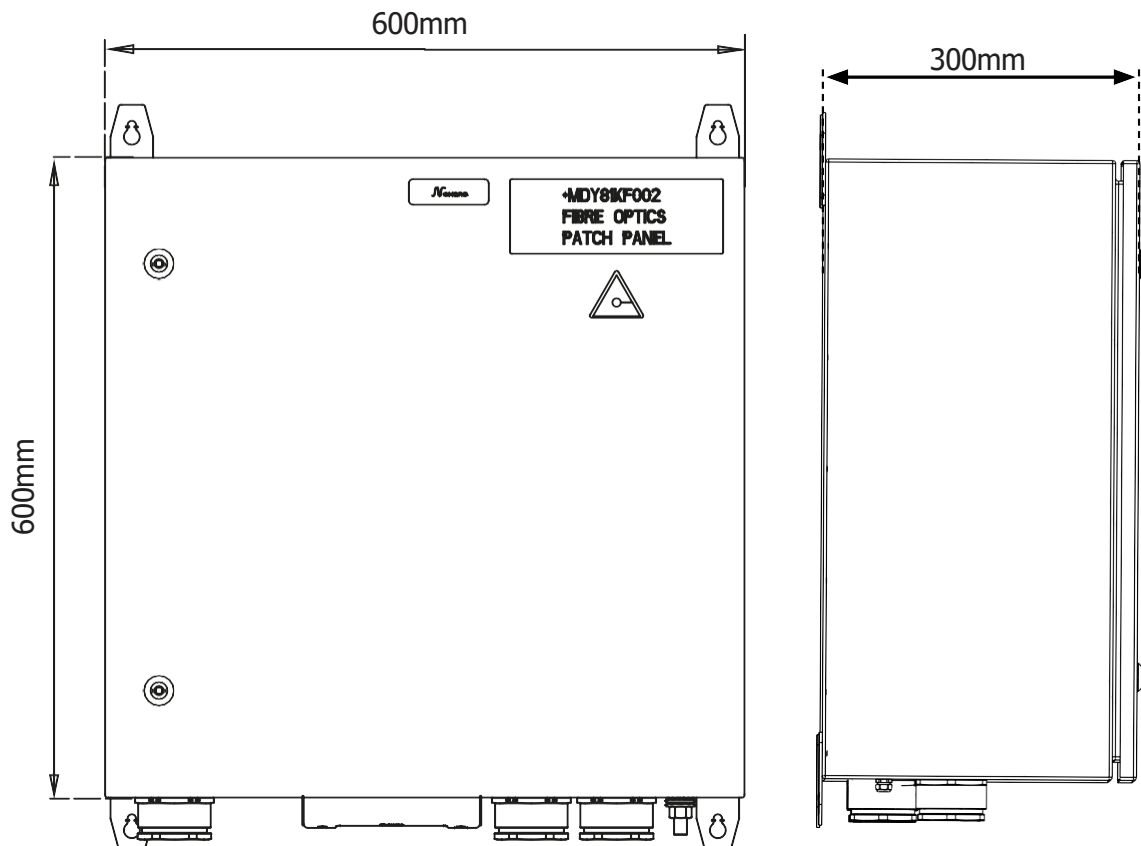
1. Product presentation

- 1 Metallic box
- 2 Patch panel for 96 LC fibres
- 3 Plexiglass cover
- 4 Patching and splicing module for 2 cables 48OF
- 5 Cassettes 24/48 splices (x4)
- 6 Cable guides (4 rings)
- 7 Locking plate
- 8 BAEP (securisation of cables)
- 9 Grounding cables
- 10 Main cables entry
- 11 Breakout cables (x7) entry
- 12 Secondary cable entry (x4)
- 13 Plate support to secure breakout cables



1.2. Technical characteristics

- Dimensions: 600x600x300mm
- IP seal: IP66
- Weight: 30kg
- Enclosure material: Stainless steel 316L
- Enclosure Coating/color: SIGMADUR 520-C4 High / RAL 7001

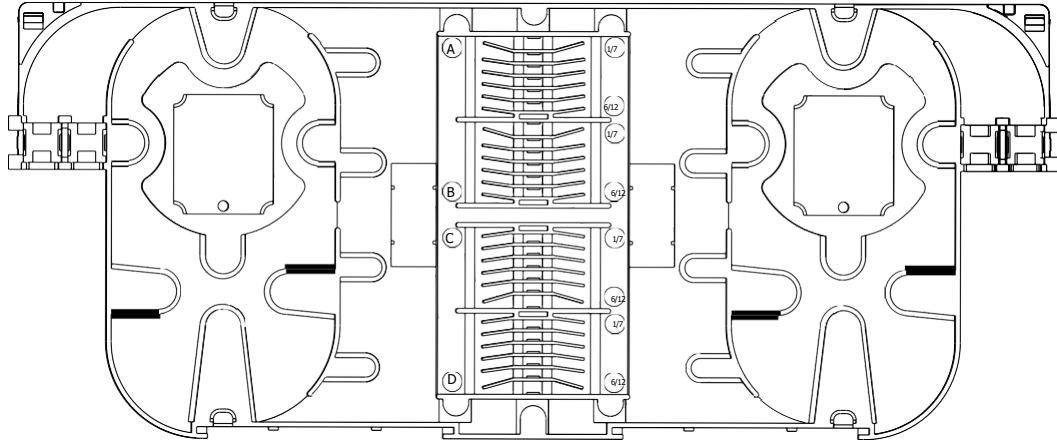


1.3. Provided kits

See parts list supply in the OMM documentation

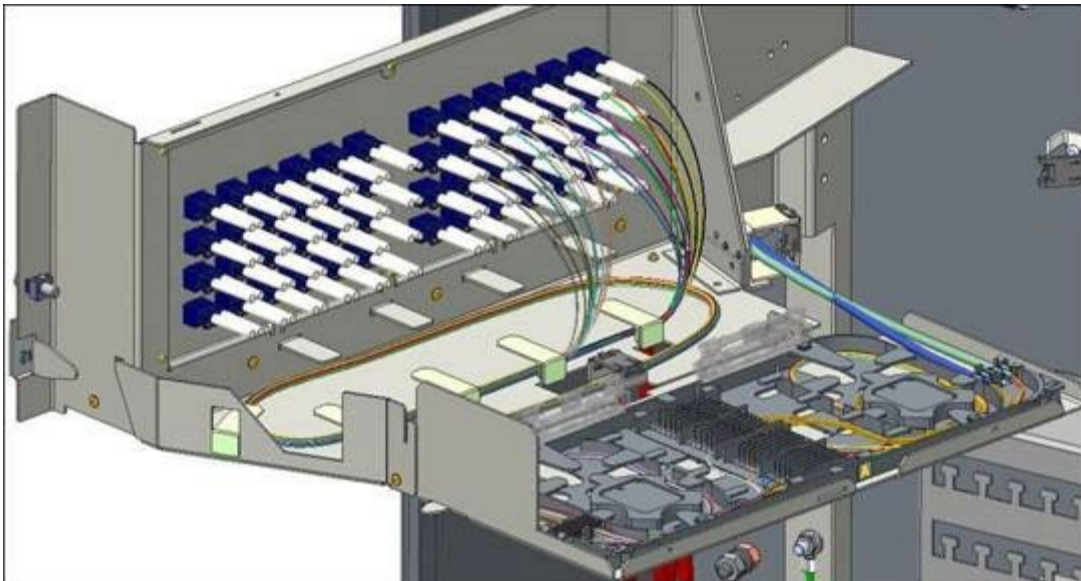
1.4. Cassettes presentation

- 4 supports of 12 splices (heat shrink 60mm)
- Coiling of Ø 250µm fibres overlengths (900mm max.) in the cassette



Max. capacity:
24/48 splices, G.652.D fibre (bend radius 30mm)

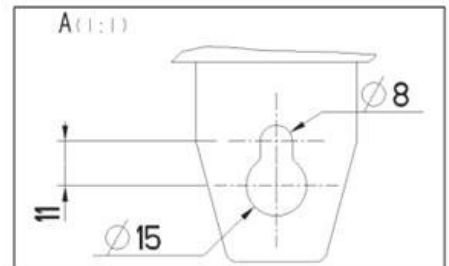
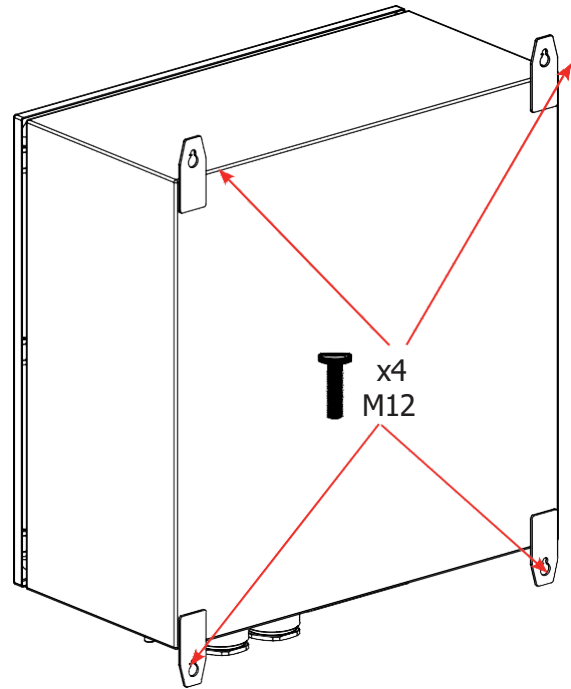
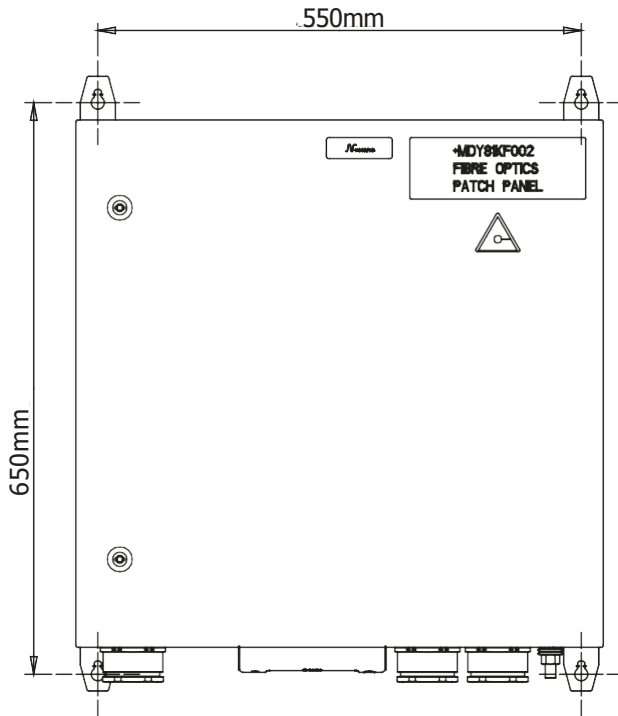
1.5. Patching and splicing module (pre-assembly with 96 pigtails)



LC duplex adaptors and pre-wired pigtails

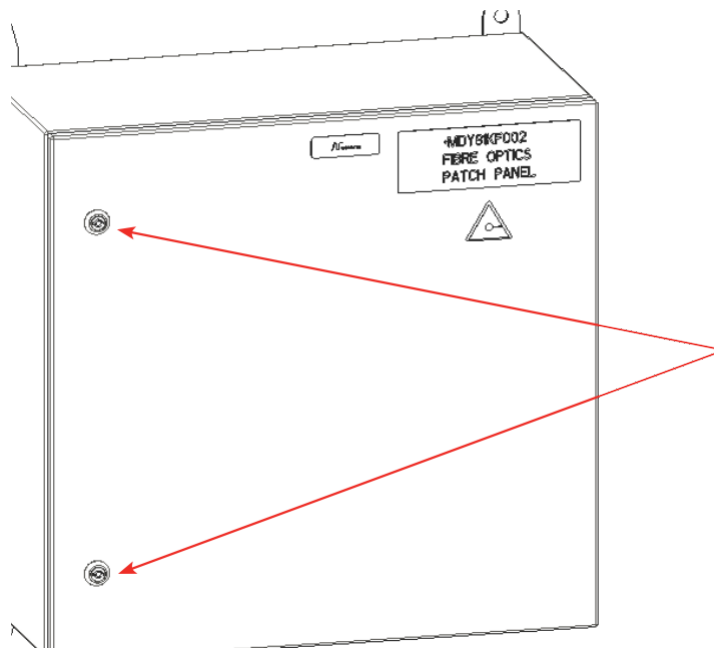
PRELIMINARY OPERATIONS

1.6. Distance between fixation points: 550 x 650 mm



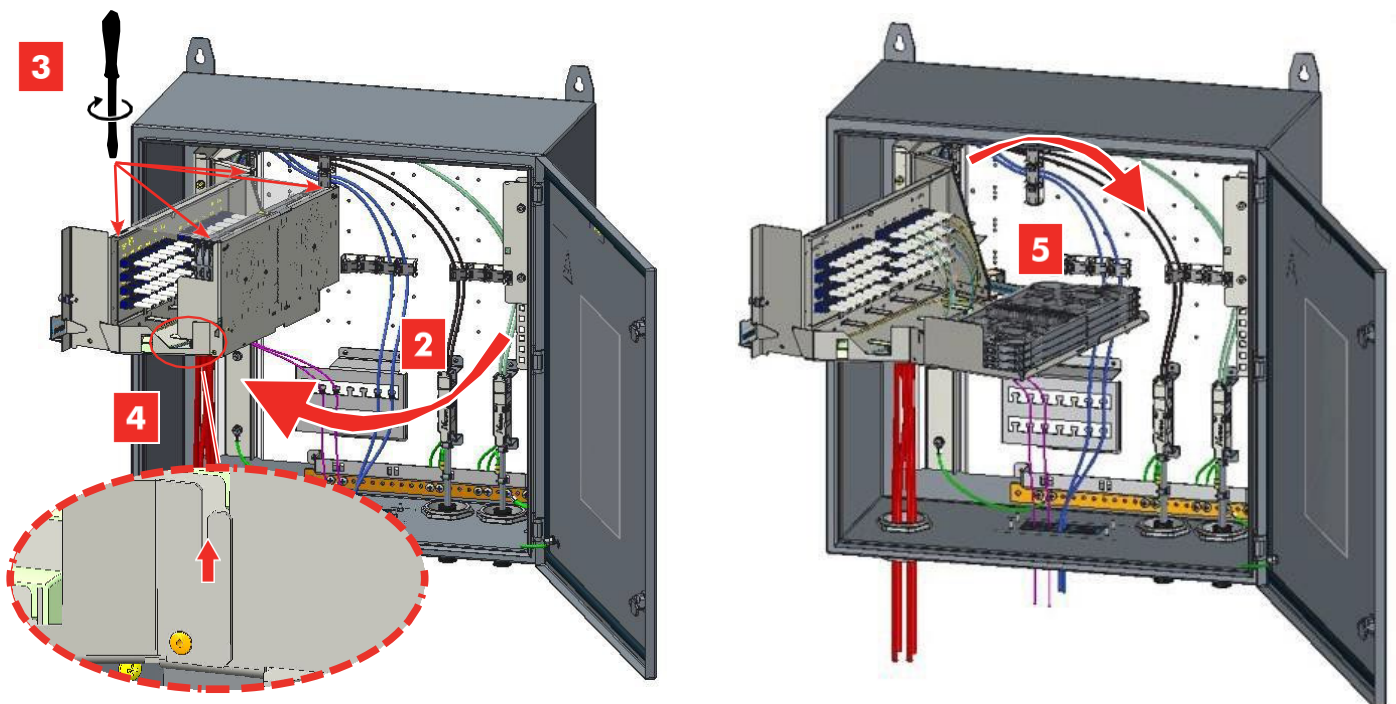
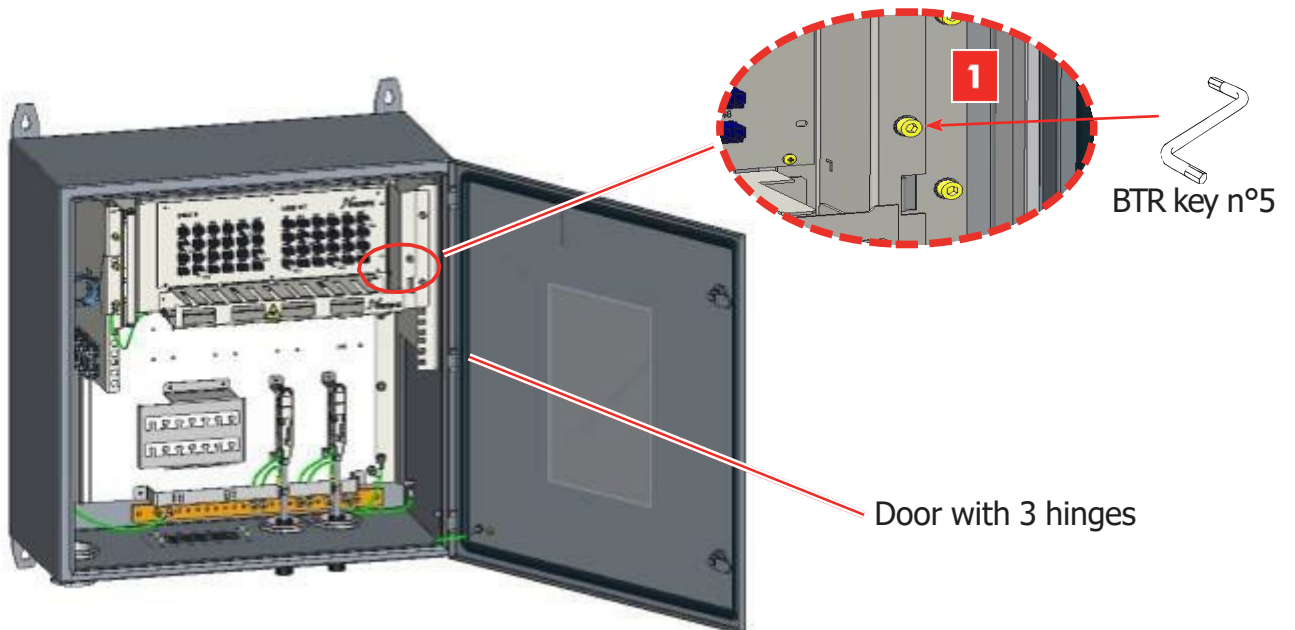
Bracket material : Stainless steel 316 L

1.7. Opening the box



1.8. Opening the module

1. Unscrew the security screw
2. Open the module to the left (BTR key no.5)
3. Remove the 4 fixing screws and the cover (screwdriver torx N° 10)
4. Unlock the safety lever
5. Open the organiser

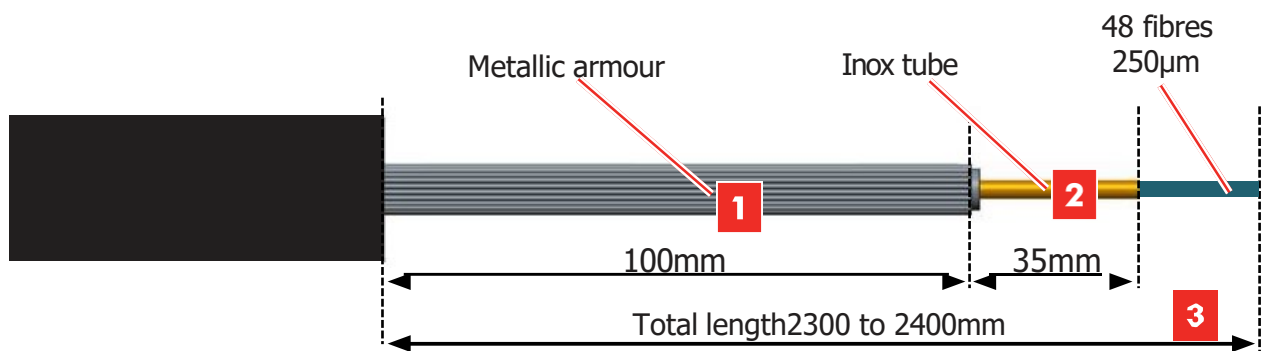


3. MAIN CABLE INSTALLATION

1. Cable preparation (48 fibres)

Split the length into:

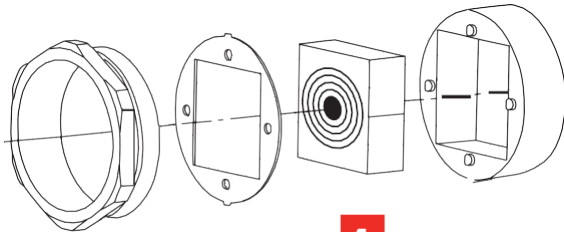
1. Metallic armour length 100mm
2. Inox tube length 35mm
3. Optical fibres length 2300 to 2400mm



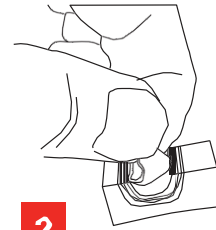
Recommendation:
Overlength fibres inside the cassette 900 to 1000mm.

2. Cable clamping

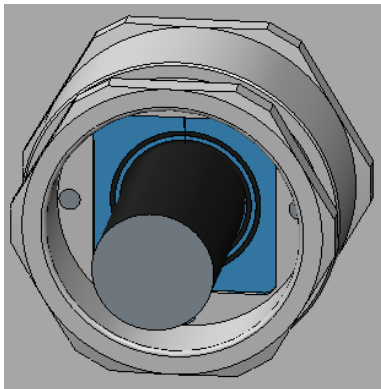
1. Seal installation



Remove the compression screw and the front washer



Uncap the seal according to the cable diameter



Place the cable in the module

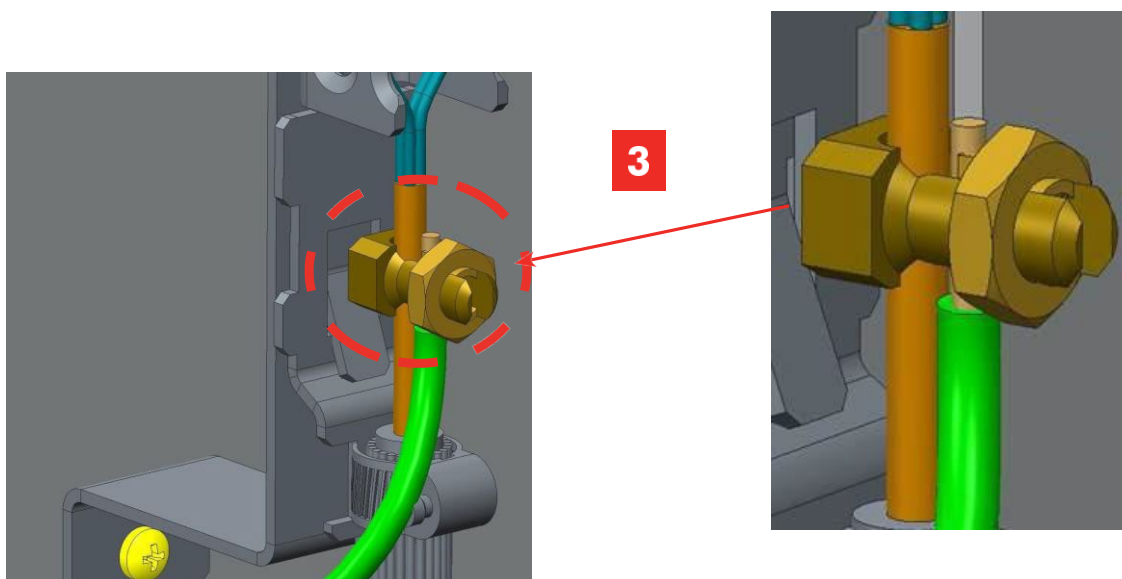
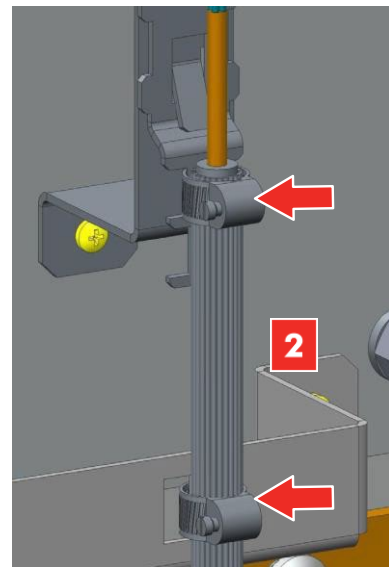
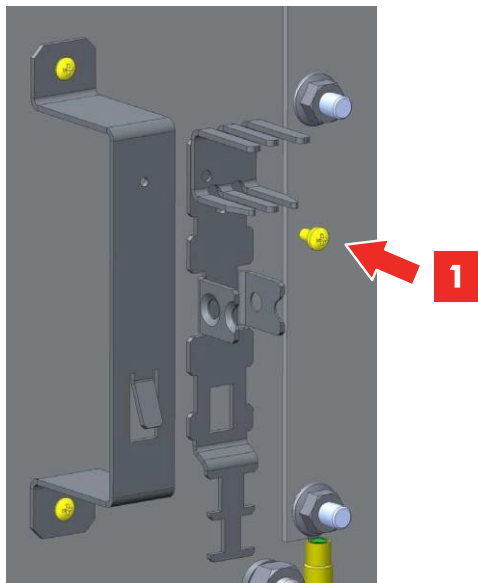
For more details, refer to the notice



For more details refer to the notice sealing kit.

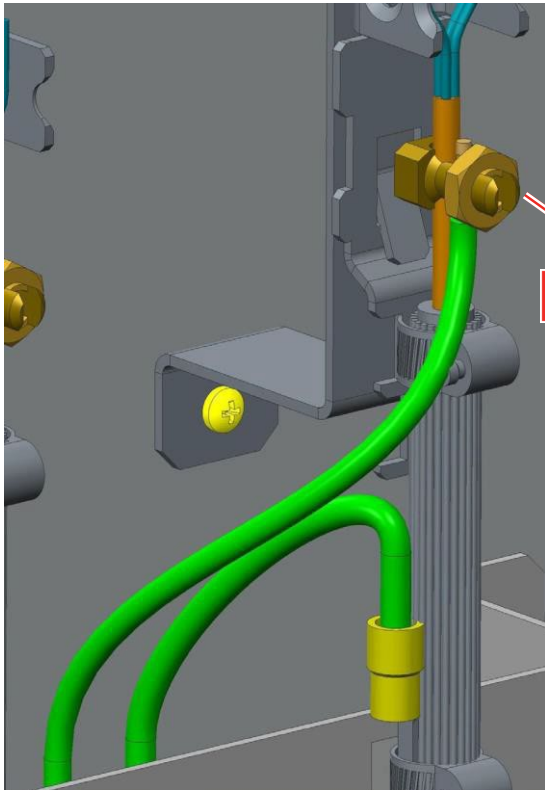
3.2.2. Fixation of the cable in the BAEP

1. Fix the BAEP base on the fixation holder
2. Clamp the cable to the BAEP with metal ties
3. Fix the grounding cable on the inox tube in the BAEP

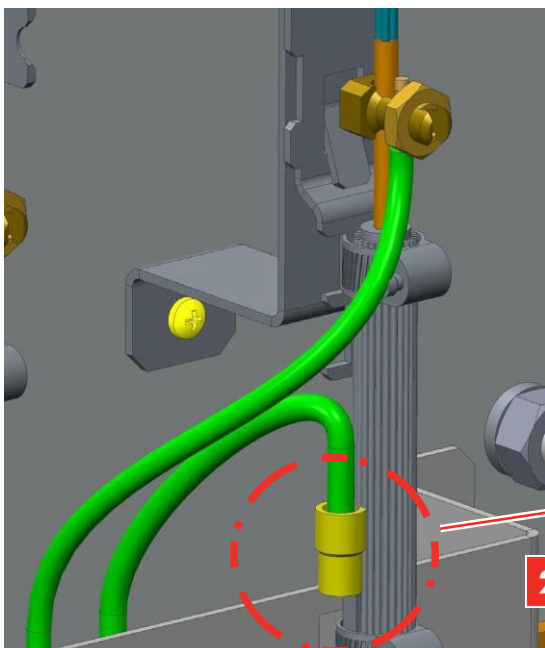


The grounding cables are supplied already stripped.

3.2.3. Grounding and clamping



Connect the grounding cable on the copper connector KS15



Hooked terminal

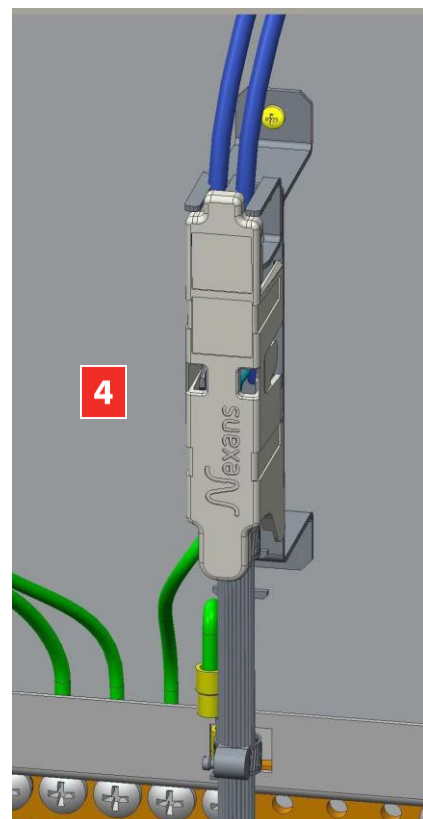
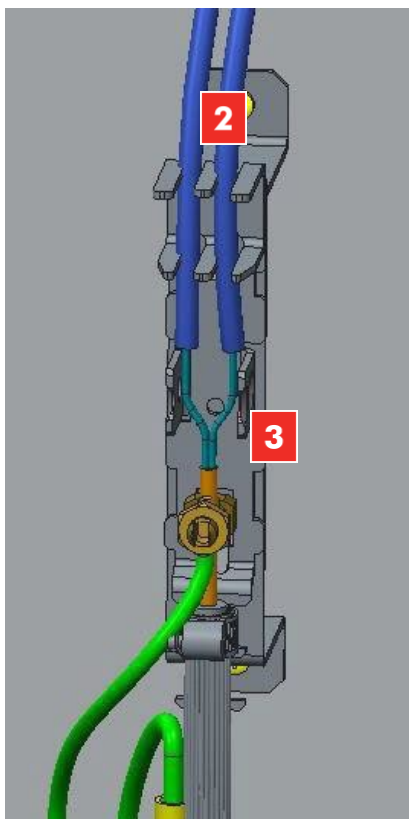
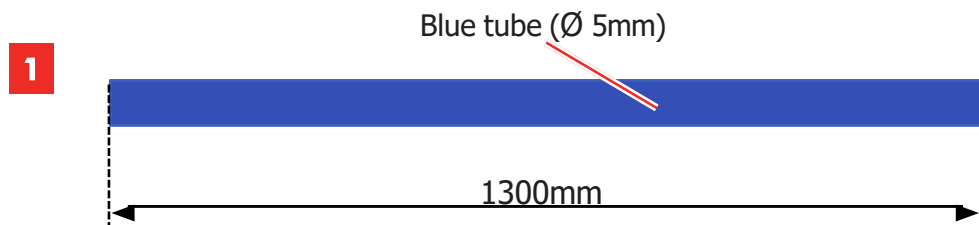
Connect another grounding cable with a hooked terminal on the metallic armour of the cable

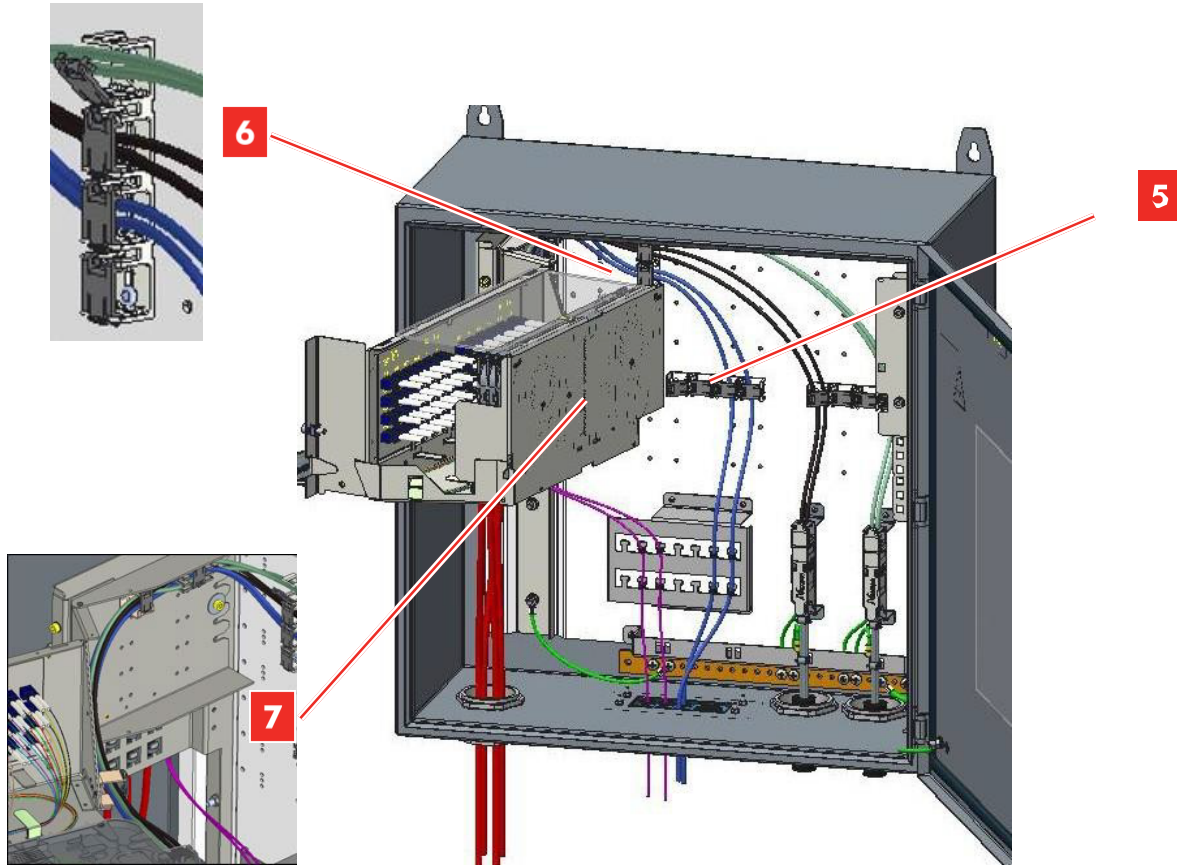
3.3. Routing fibres



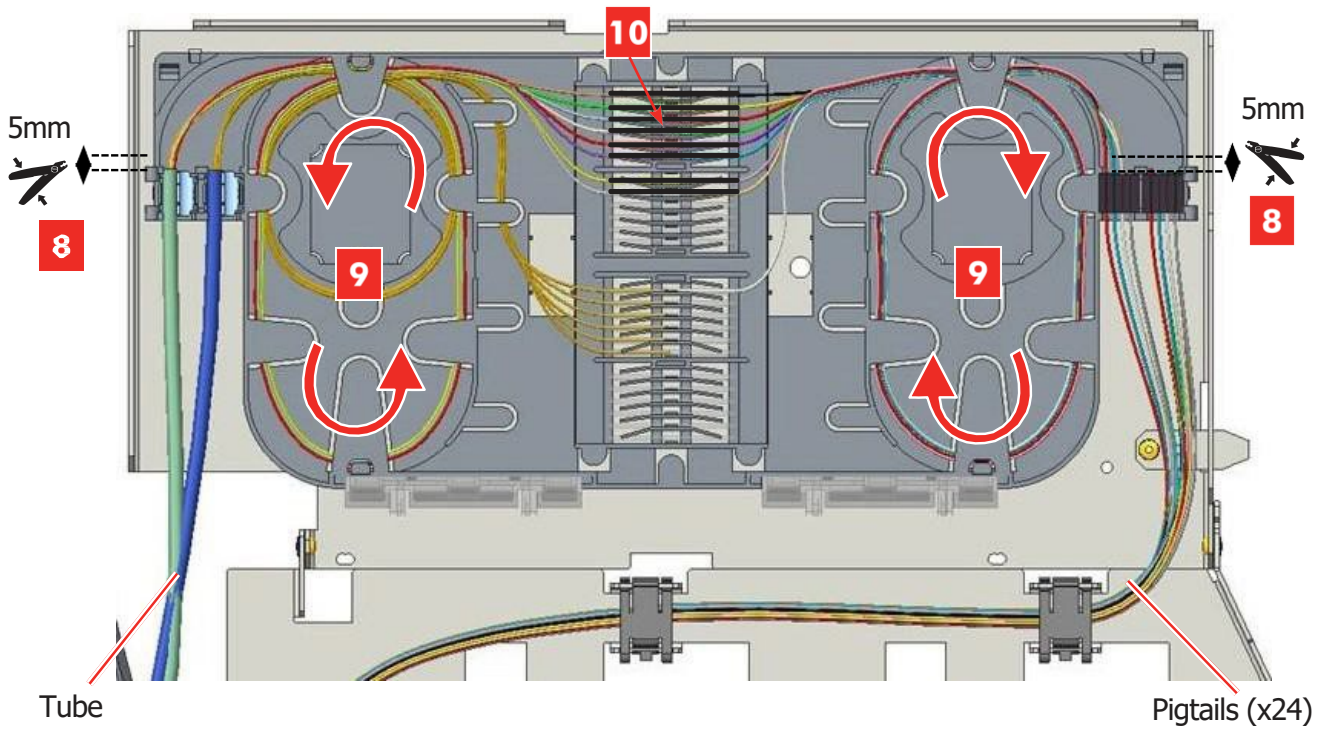
Refer to the instruction manual of the module ABS 1363-01.

1. Cut the blue tubes to a length of 1300mm
2. Clamp the tubes in the BAEP
3. Distribute the cable fibres in the blue tubes
4. Close the BAEP
5. Route the blue tubes through the guide rings
6. Fix the tubes in the metallic comb
7. Route fibres toward the cassettes



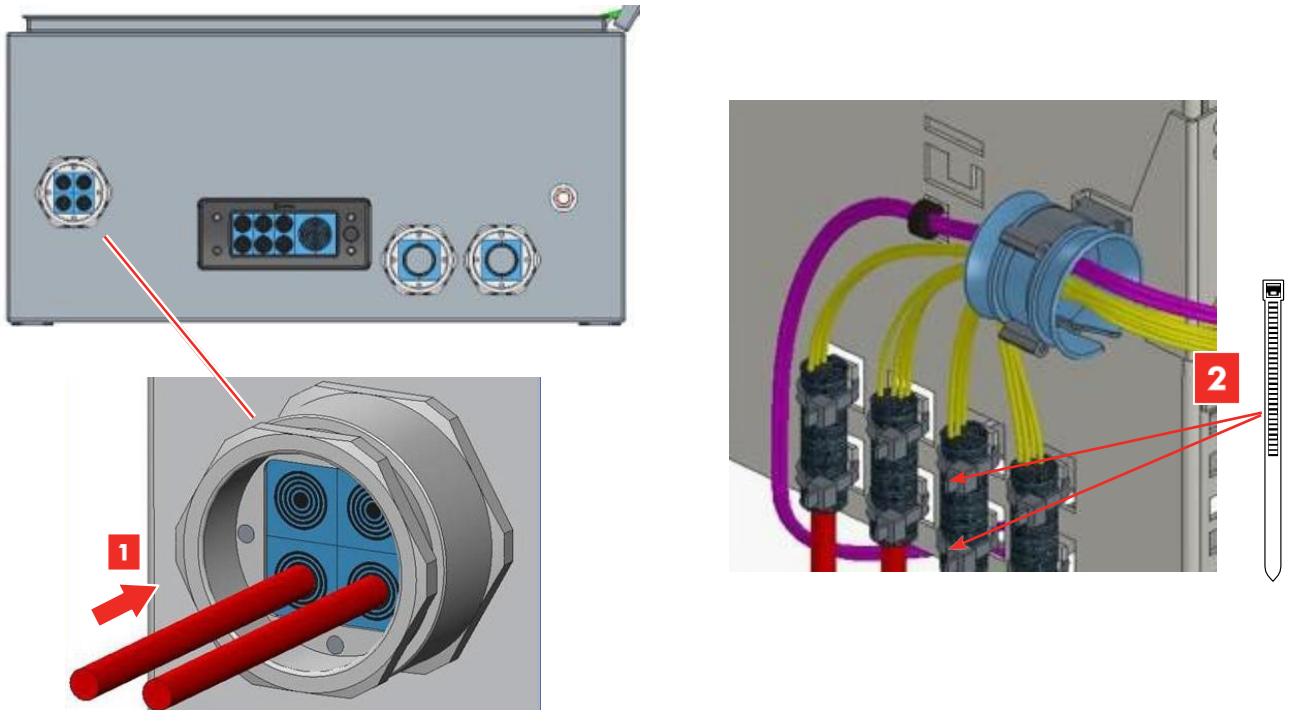


- 8. Strip
- 9. Coil fibres
- 10. Connect by splicing

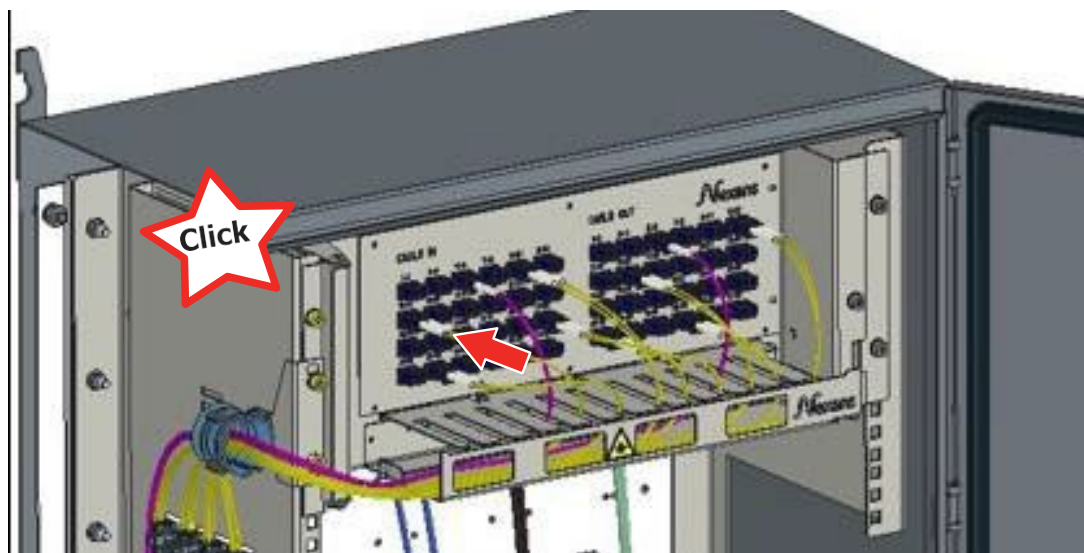


4. PRETERMINATED SECONDARY CABLE INSTALLATION

1. Cable clamping
 1. Install the cables into the sealing kit
 2. Tighten the cable with plastic ties



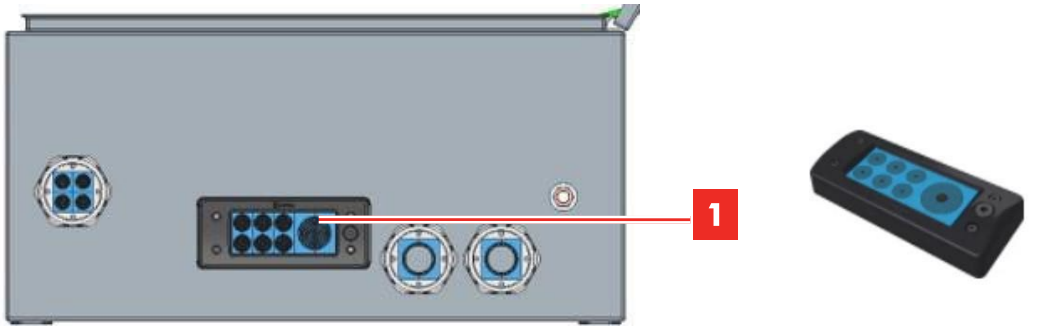
4.2. Routing preterminated fibres on the front of the module



Length of breakout cables at the ends: 600mm.

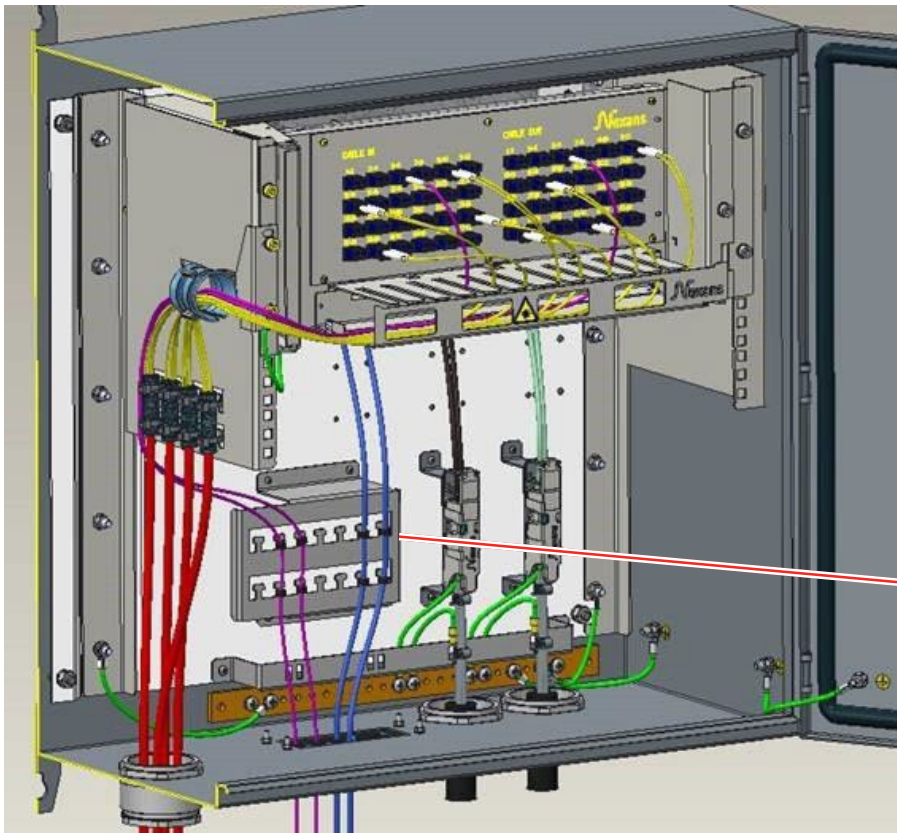
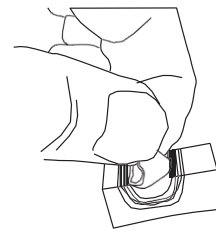
5. BREAKOUT CABLES INSTALLATION

Seal installation



Uncap the seal according to the cable diameter

2



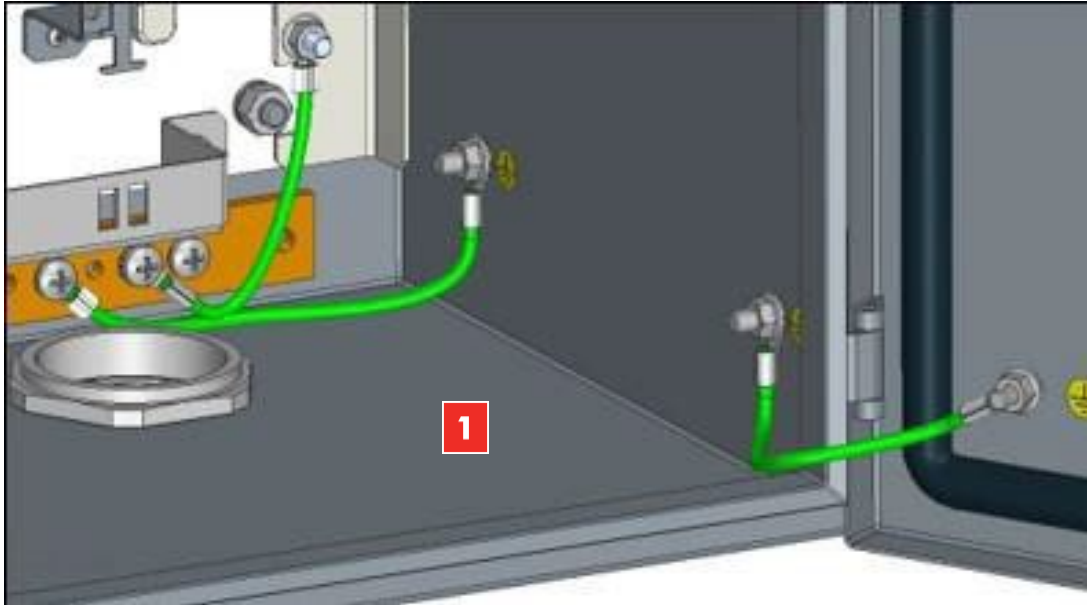
3

Slide the breakout cables on plate support to secure them with plastic color

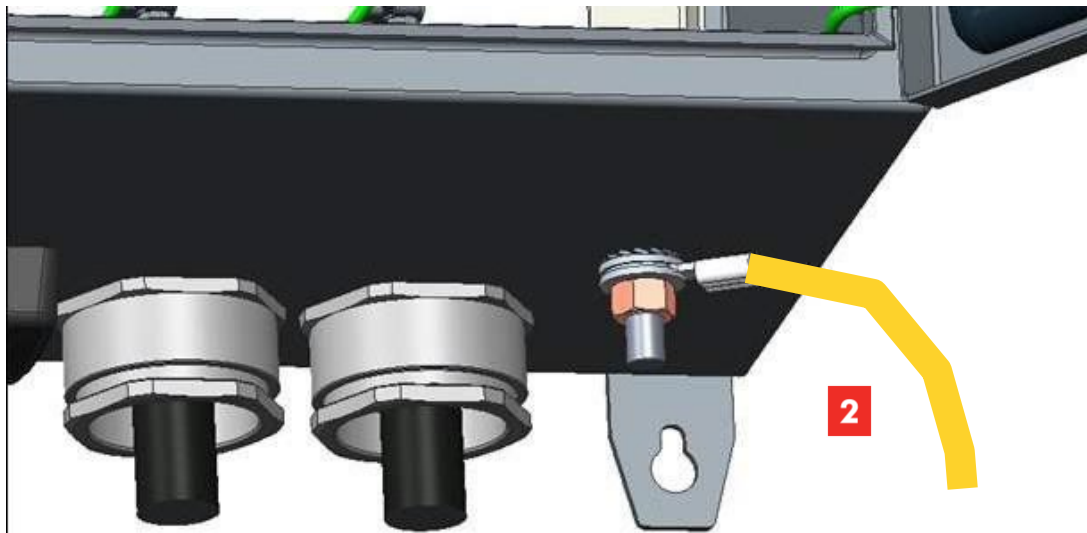
- Two ways:
- To the patch panel (purple)
 - To the cassettes (blue)

6. FINAL OPERATIONS

1. Grounding wire in the box



6.2. Grounding wire external

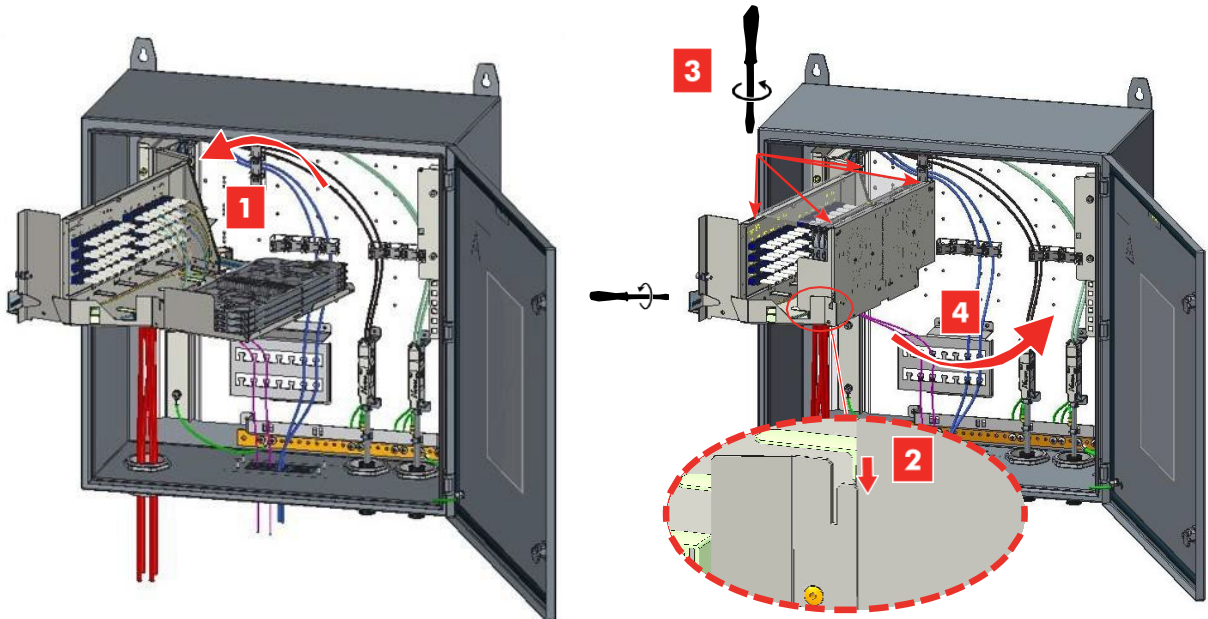


Using washers and nuts to secure grounding wire:

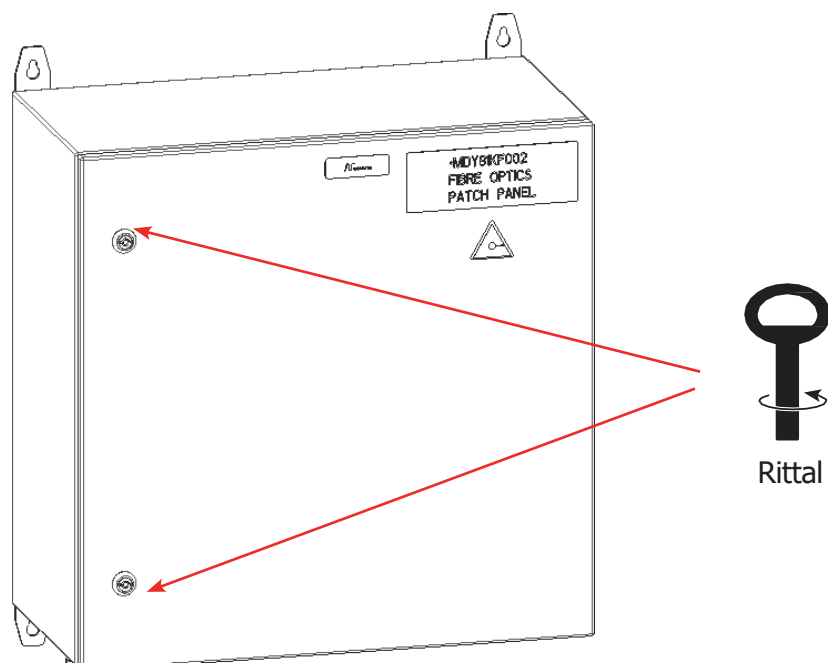
- Earthing bolt dimensions M12x35, A4 stainless steel
- M12 nut with 2 washers

6.3. Closing the module

1. Close the organiser
2. Lock the safety lever
3. Put the cover and the 4 fixing screws
4. Close the module and tighten the security screw



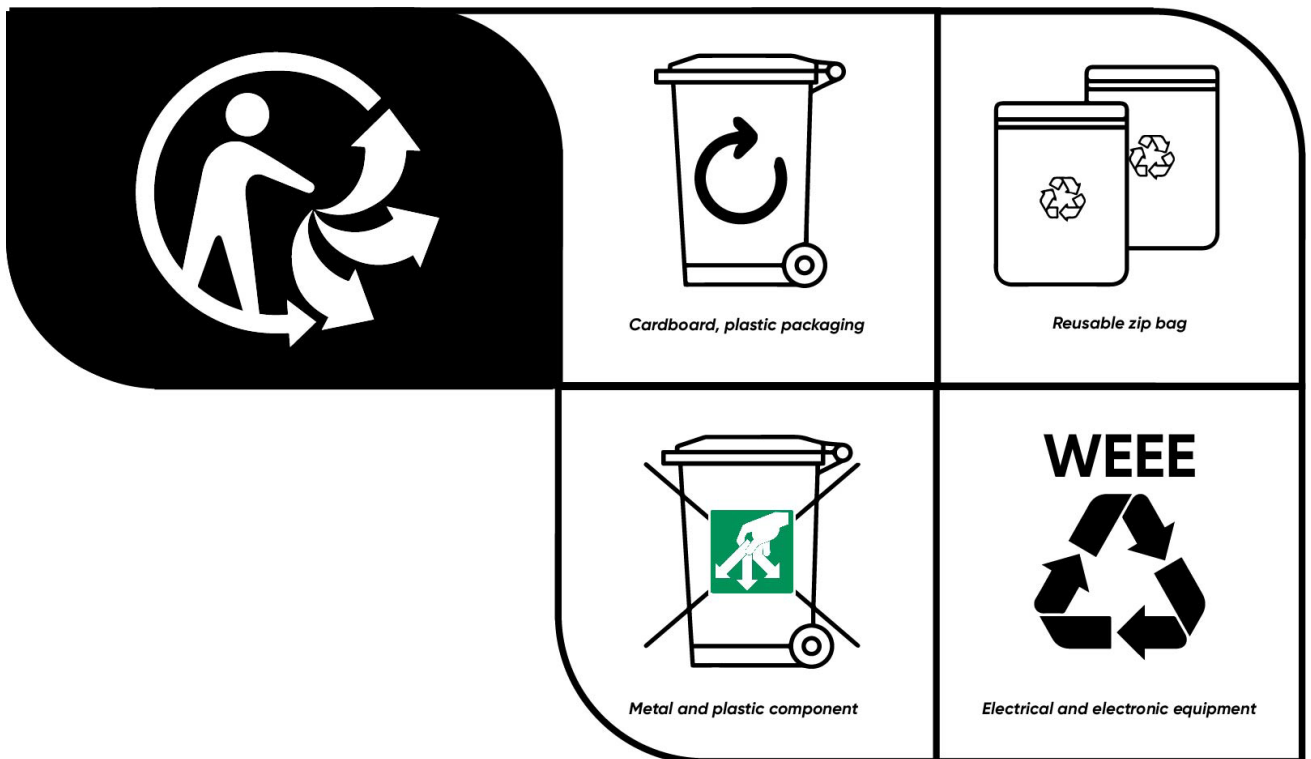
6.4. Closing the box





7. MAINTENANCE OPERATIONS

Refer to the OMM project manual.

8. END LIFE INSTRUCTION



Se connecter via LinkedIn
Connect via LinkedIn



En savoir plus sur Youtube
Learn more on YouTube

Visiter www.agineode.net
Visit www.agineode.net

.September 2023. Aginode. All rights reserved. All details are indicative only and subject to change. All trademarks registered by Aginode.

AGINODE
25, avenue Jean Jaurès
08330 Vrigne-aux-Bois
FRANCE
Tel. +33 (0) 3 24 52 61 61
info@agineode.net