

Click-In Power Supply 54VDC/130W 135x45

Contact

Nexans LAN Systems
Tel.: +49 (0) 2166 27 2220
sales.ans@nexans.com

Features

- Power Supply for Installation Switch Systems with 54V DC Input
- Full PoE plus, IEEE 802.3at, compatibility
- Easy and toolless installation
- Support of 45mm installation format
- Fanless System with aluminium faceplate for best thermal performance
- Redundant connection without external diodes possible
- Output Power: 130 Watts
- Control-LED
- Primary Connection (100-240V AC):
 - Removable 3-pin connector
- Secondary connection (54V DC):
 - Removable 3-pin connector
- Mutual connection of function earth
- Low Voltage Directive "Protection Class I"



LANactive
Switch to the future

Hardware specification

| | |
|-------------------------------------|--|
| Rated input range | 100-240V AC 50-60 Hz |
| Input range | 90-265V AC 47-63 Hz |
| Input current | 1.31A at 115V AC 0.67A at 230V AC |
| Max. input current | 3.15A |
| AC leakage current | Max. 0.25mA at 240V AC input |
| Max. inrush current | 60A at 240V AC, 25°C |
| Unload standby power | <0.3W |
| Isolation | 1.5kV |
| Rated output range | 54V DC |
| Max. output current | 2.4A |
| Max. output power | 130W |
| Electrical protection | Short circuit, overvoltage and overcurrent protection |
| Efficiency | Min. 90% Typ. 92% |
| Weight | 330g |
| Dimensions | 135 x 45 x 52 mm |
| Ambient operating temperature range | 0 ... 45°C |
| Storage temperature range | -10 ... 70°C |
| Relative humidity | 5 ... 90% |
| Safety | CE, EN IEC 62368-1:2014* |
| EMC | EN 55032:2015, EN 61000-3-2:2014, EN 61000-3-3:2013, EN 55024:2010+A1, EN 55035:2017 |
| Protection | Class I |

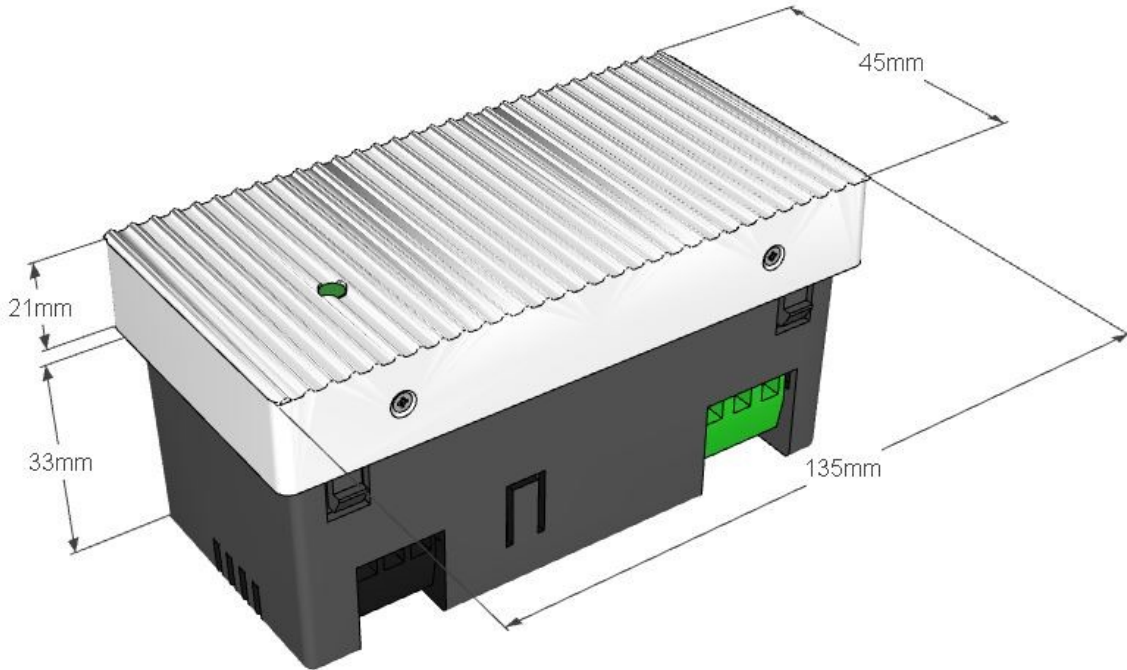
*The product is suitable for connection to IT power distribution systems providing 100-240V phase to phase voltage

The Nexans logo features a stylized red 'N' followed by the word 'Nexans' in a bold, black, sans-serif font.

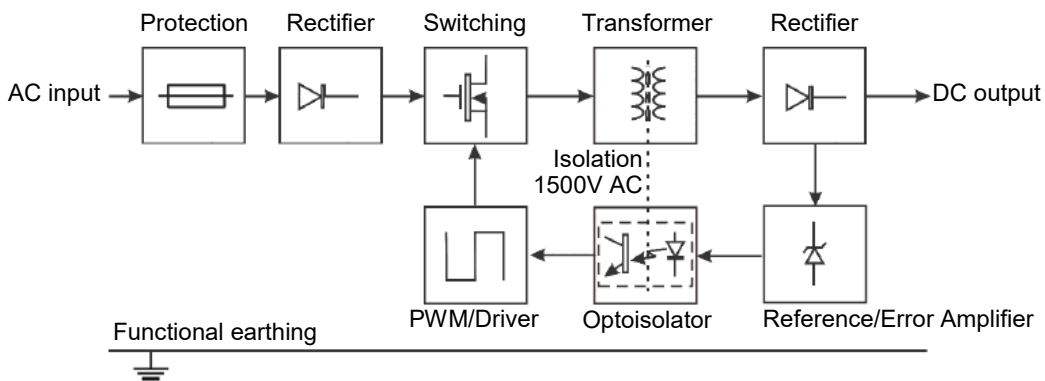
Click-In Power Supply 54VDC/130W 135x45

Contact
Nexans LAN Systems
Tel.: +49 (0) 2166 27 2220
sales.ans@nexans.com

Dimensions



Block diagram



Recommendation for installation

Nexans recommends using a C10 circuit breaker as the smallest circuit breaker when using Click-In power supplies. The C tripping characteristic is particularly advantageous in circuits with higher inrush currents. In addition, the number of power supply units connected to a circuit should be limited to a maximum of 10 units.

Ordering Information

| Article Number | Description |
|----------------|---|
| 88646241 | Click-In Power Supply 54VDC/130W 135x45 |