

Click-In Power Supply 54VDC/70W 90x45

Contact

Nexans LAN Systems
Tel.: +49 (0) 2166 27 2220
sales.ans@nexans.com

Features

- Power Supply for Installation Switch Systems with 54V DC Input
- Full PoE plus, IEEE 802.3at, compatibility
- Easy and toolless installation
- Support of 45mm installation format
- Fanless System with aluminium faceplate for best thermal performance
- Redundant connection without external diodes possible
- Output Power: 70 Watts
- Control-LED, yellow
- Primary Connection (100-240V AC):
 - Removable 3-pin connector
- Secondary connection (54V DC):
 - Removable 3-pin connector
- Mutual connection of function earth
- Protection Class I



LANactive
Switch to the future

Hardware Specification

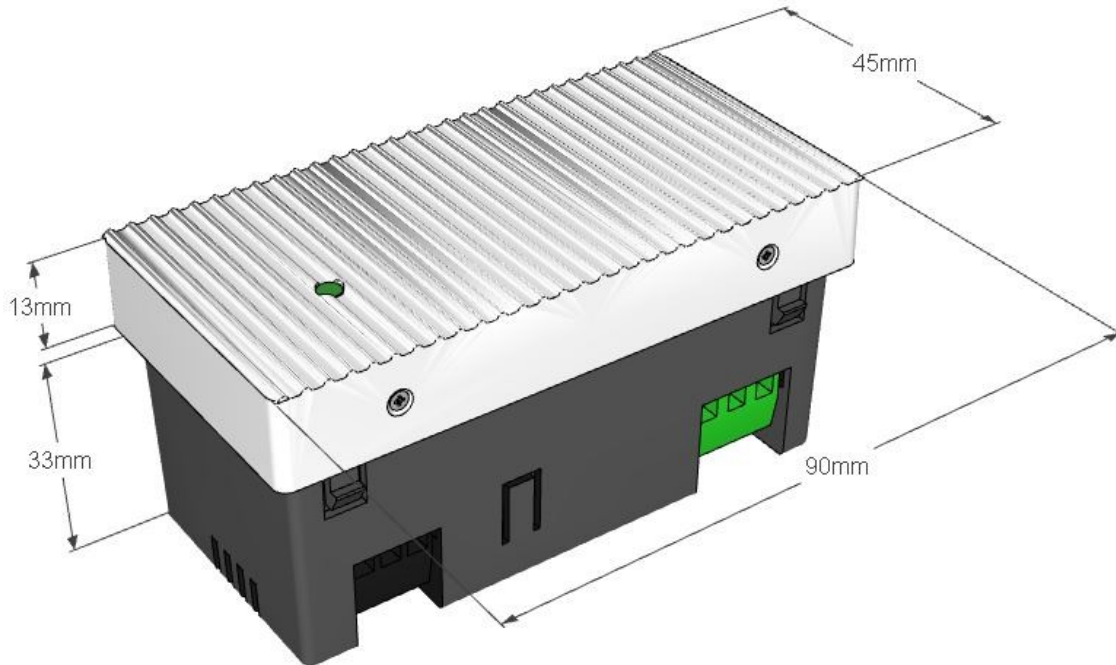
Rated input range	100-240V AC 50-60 Hz
Input range	90-265V AC 47-63 Hz
Input current	1.1A at 115V AC 0.56A at 230V AC
Max. input current	1.5A
AC leakage current	Max. 0.25mA at 240V AC input
Max. inrush current	60A at 240V AC, 25°C
Unload standby power	<0.5W
Isolation	1.5kV
Rated output range	54V DC
Max. output current	1.24A
Max. output power	70W
Electrical protection	Short circuit, overvoltage and overcurrent protection
Efficiency	Min. 86% Typ. 90%
Weight	200g
Dimensions	90 x 45 x 46 mm
Ambient operating temperature range	0 ... 45°C
Storage temperature range	-10 ... 55°C
Relative humidity	5 ... 90%
Safety	CE, EN IEC 62368-1:2014*
EMC	EN 55032:2015, EN IEC 61000-3-2:2019, EN 61000-3-3:2013+A1, EN 55035:2017
Protection	Class I

*The product is suitable for connection to IT power distribution systems providing 100-240V phase to phase voltage

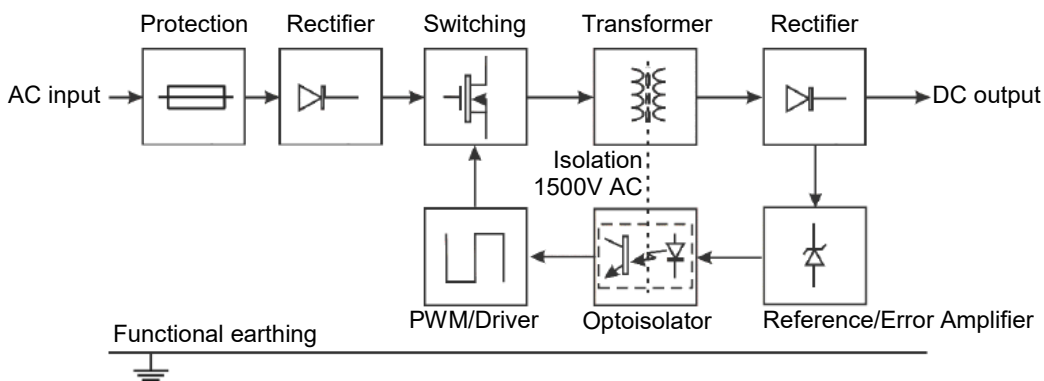
Click-In Power Supply 54VDC/70W 90x45

Contact
Nexans LAN Systems
Tel.: +49 (0) 2166 27 2220
sales.ans@nexans.com

Dimensions



Block Diagram



Recommendation for installation

Nexans recommends using a C10 circuit breaker as the smallest circuit breaker when using Click-In power supplies. The C tripping characteristic is particularly advantageous in circuits with higher inrush currents. In addition, the number of power supply units connected to a circuit should be limited to a maximum of 10 units.

Order Number

Article number	Description
88646210	Click-In Power Supply 54VDC/70W 90x45